

Data Sheet

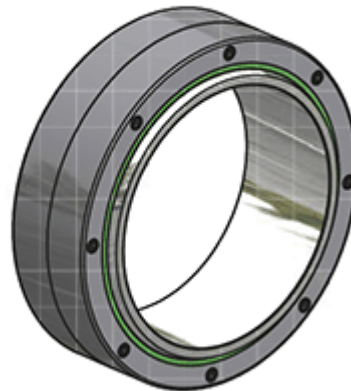
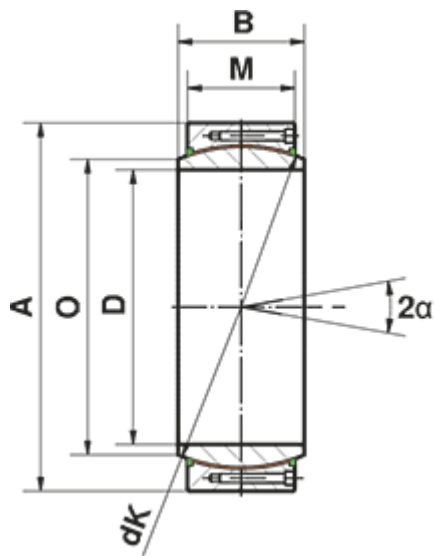


Article number: 03447360

Description: Fluro Heavy Duty Spherical Plain Bearing GE 360 CW
Hole \varnothing 360

Note: 360

Measures



= -	D	= 360
= -	dK	= 420
= -	Dynamic load C (kN)	= 16900
= -	M	= 135
= -	O	= 388.3
A	= 480	Static load C0 (kN) = 28170
a (degrees)	= 3.6	Weight (g) = 86
B	= 160	